

LAL Site Report



Michel Jouvin

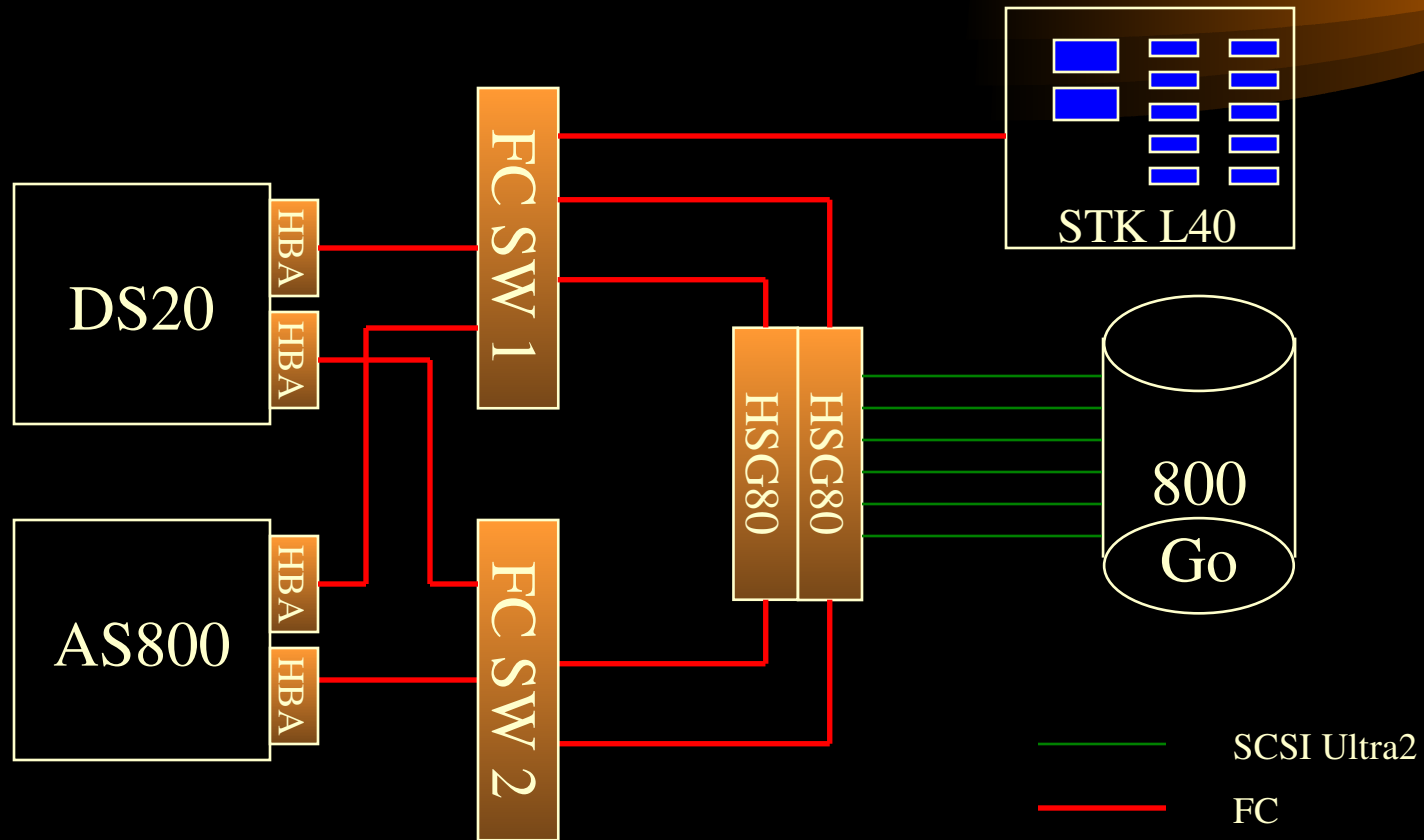
LAL / IN2P3

jouvin@lal.in2p3.fr

SAN Deployment

- Currently : 2 separate fabrics
 - 1 for disk, 1 for tapes
- Should move shortly to redundant fabrics
 - No single point of failure
 - Load balancing between connections with transparent manual relocation
- Future
 - Heterogeneous SAN (Solaris/W2000) ?

SAN Configuration



Windows Infrastructure

- Nothing new
- Still growing...
- W2000 very stable
 - Both servers and desktops
- CERN Print Package in production
 - Main problem : ability to add printer without privs
 - Package future ?

Linux (server)

- RH 6.2/Kernel 2.2.18 still in production
- Move to 7.2 started recently (D0)
 - No problem so far
- Hardware
 - Standardized on Dell PE 1x50 (1U)
 - Already 15 units (dual 80Mhz to 1.4 Ghz)
 - Waiting for blade packaging

VMware

- Used to provide Linux on laptops
- VMware version 3.x
 - Integrated NAT
 - Support for 256Gb virtual disk (2Gb in v2)
 - MSI deployment (3.1)
- Virtual machine upgraded to 7.2

IN2P3 ActiveDirectory Project

- Build an IN2P3 wide forest
 - 1 domain per lab
- Aggressive schedule
 - Start a production forest beginning of autumn
- Progressively move NT4 domains to this forest
- 10 labs volunteered to participate
 - LAL is a major contributor with its experience

Distributed Computing Initiatives

- GRID Testbed
 - Cal (Charles Loomis) working FT on Grid
 - Currently Iteam leader, involved in EDG release
 - Testbed currently reduced to main sites
 - Should install EDG 1.1.3 soon
- XtremWeb / Peer to peer computing
 - New version to be installed soon